

Spintrue

»»»» Dedicated in spindle manufacturing »»»»

精密主軸

HIGH SPEED PRECISION SPINDLE



Insisting on quality and customer focused

龍馬精密科技股份有限公司
SPINTRUE TECH. CO., LTD. <http://www.spintrue.com.tw>

About Us



Company Profile

Spintrue Tech. Co., Ltd. established in November, 2011, is dedicated in manufacturing spindles. The Spintrue team consists of professionals with working experience at the Industrial Technology Research Institute and established Taiwan spindle manufacturers. The professional team possess valuable design and assembly experience over the past few decades. To reach high quality standard and to win the trust from customers, we pay excruciating attention to details in each step of the spindle manufacturing process from material selection, machining, heat treatment, precision assembly, life test and packaging. Each procedure is managed with rigorous quality control system to ensure the spindle durability and stability. It is not only to give customer a peace of mind also a contribution to the environment protection on earth; using resources effectively to provide maximum functionality. This set us apart from other spindle manufacturers as we insist in making the best quality products.

Business Philosophy



Quality First

We insist on quality to meet customer requirement and to win customer's trust

Technology Innovation

We engage in developing high-performance, high quality spindles and customer tailored products to enhance customer's overall competitiveness.

Value added service

We promptly respond to customer request, in solving customer issues and to create added value for customer.

Vigorous Spirit to Perform

Vigorous Spirit to Perform is in Chinese culture; industrious, kind, with integrity and courage to forge ahead to benefit all human beings. Spintrue business is focused on customers and to be a corporate citizen to give back to the society.

Operating Items

Belt Type Spindle / Direct drive Spindle / CNC lathe Spindle
Motor Spindle / Gearbox / Gantry Type Automatic Exchange Head
Special Spindle / Spindle Motor Repair



▶▶▶▶ Belt Type Spindle



▶▶▶▶ Direct Drive Spindle



▶▶▶▶ CNC Lathe Spindle



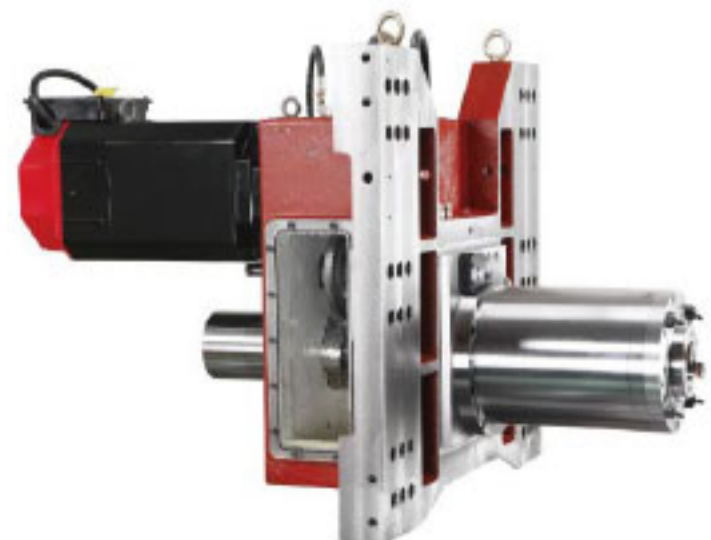
▶▶▶▶ Motor Spindle



▶▶▶▶ Gearbox



▶▶▶▶ Horizontal Machining Center Gearbox



Operating Procedures



1 Five steps to ensure spindle quality

To thoroughly clean all parts and remove burrs and sharp edges to ensure unblemished parts.

- Free From burrs and sharp edges
- To remove rust and debris from the parts.



2 The robust supply chain system and incoming inspection system with CMM to ensure the components quality.

Stable component accuracy

- The supply chain with its own component inspection system.
- To ensure machining accuracy for assembly operation
- The on-time quality control



3 The precise assembly techniques ensure the spindle in meeting design criteria.

Stable spindle accuracy

- The bright, clean and constant temperature assembly room
- The precision assembly within tolerance specification
- The professionally trained & dedicated engineers

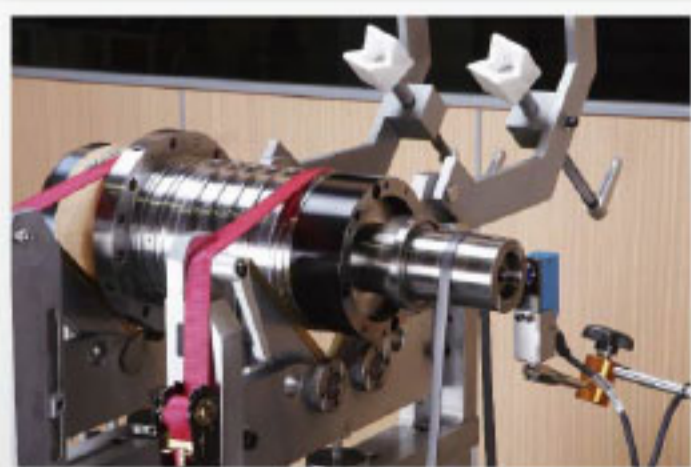
4 Long life running cycle to ensure the bearings in full lubrication.

- The life running tests
- The temperature and noise test
- The vibration test



5 The rigorous quality inspection procedure to ensure production run stability

- The temperature, vibration, run out, clamping/ unclamping force, rigidity, hydraulic-pneumatic circuit, electrical connectors and external appearance inspection
- The complete inspection specification to ensure the spindle quality



Spindle Introduction

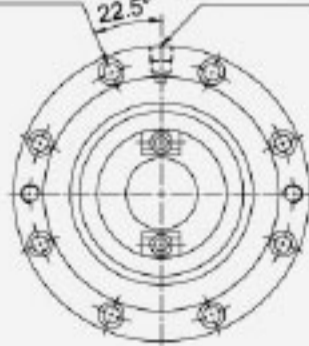


>>>> Belt Type Spindle

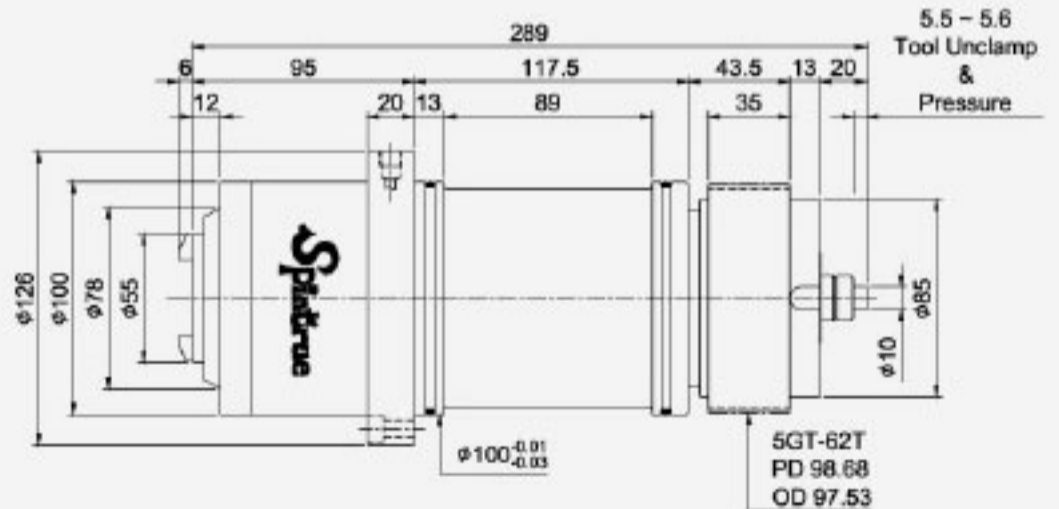
>> BT30 (OD) Dia. 100mm Belt Spindle

B310C Series

8- ϕ 7 THRU
C/Bore ϕ 11x7 DP.
PCD 112



PT1/8
Air Seal Input



| | | | | | |
|------------|--------------------|----------------|---------------|----------------|-------------|
| Product | BT-30 / ϕ 100 | Bearing | 7008 x 4 pcs | Lubrication | Grease |
| Max. Speed | 12,000~15,000 rpm | Clamping Force | 250 ~ 300 kgf | Cooling System | Oil Cooling |

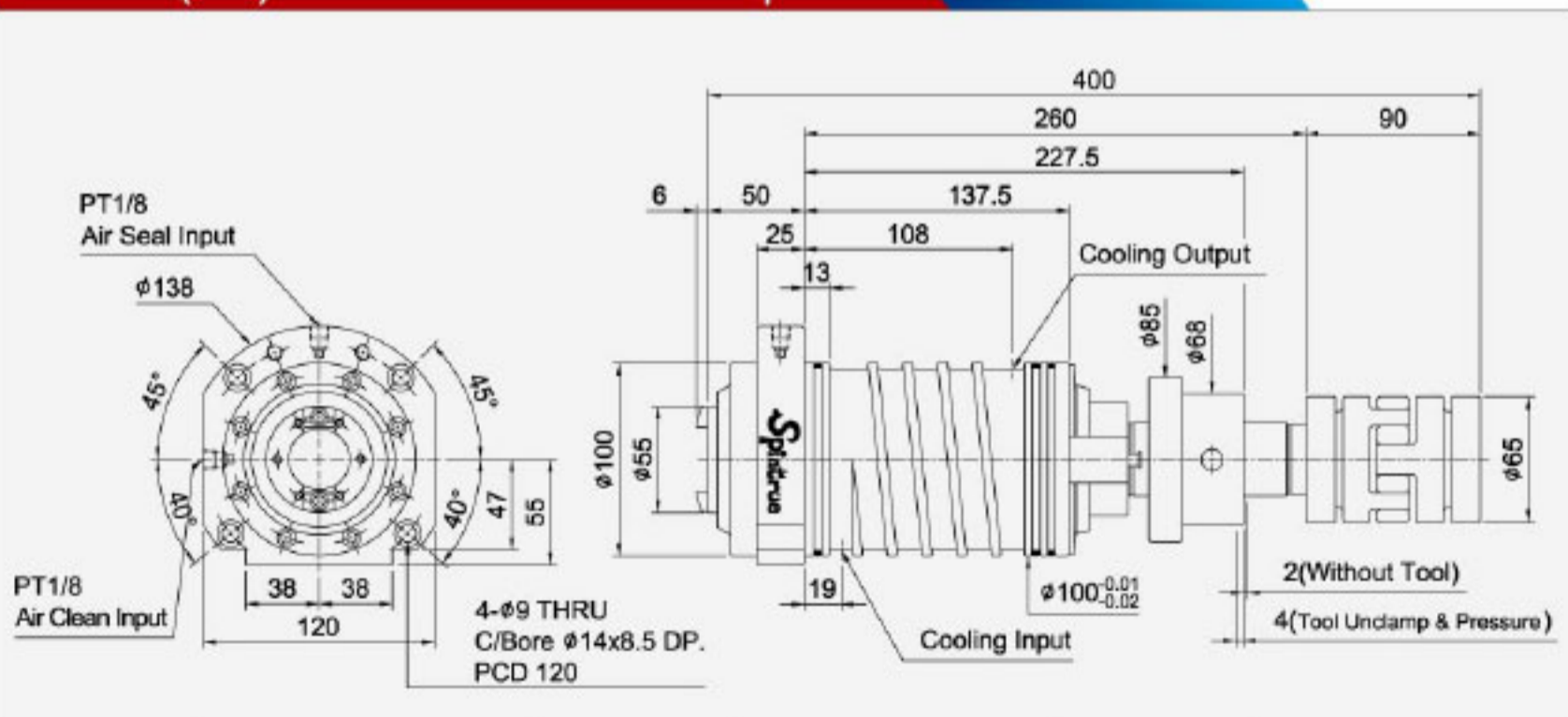
Spindle Introduction



>>>> Direct Drive Spindle

>> BT30 (OD) Dia. 100mm Direct Drive Spindle

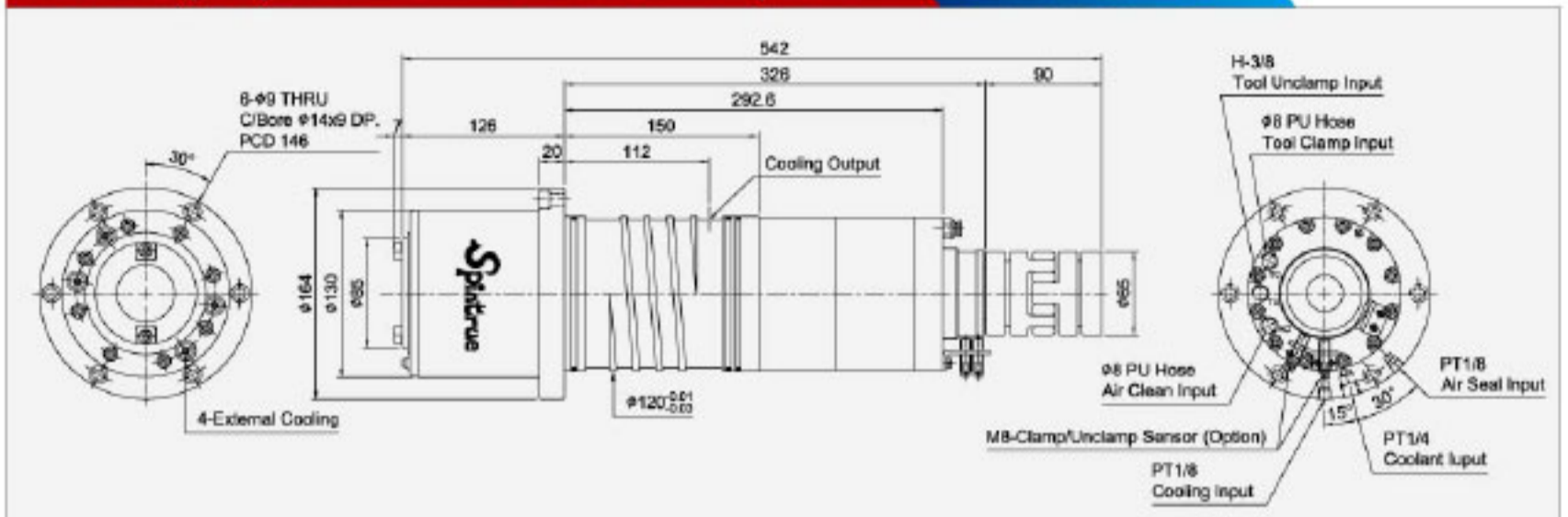
D310C Series



| | | | | | |
|------------|---------------------|----------------|---------------|----------------|-------------|
| Product | BT-30 / $\phi 100$ | Bearing | 7008 x 4 pcs | Lubrication | Grease |
| Max. Speed | 12,000 ~ 24,000 rpm | Clamping Force | 250 ~ 300 kgf | Cooling System | Oil Cooling |

» BT40 (OD) Dia. 120mm Direct Drive Spindle

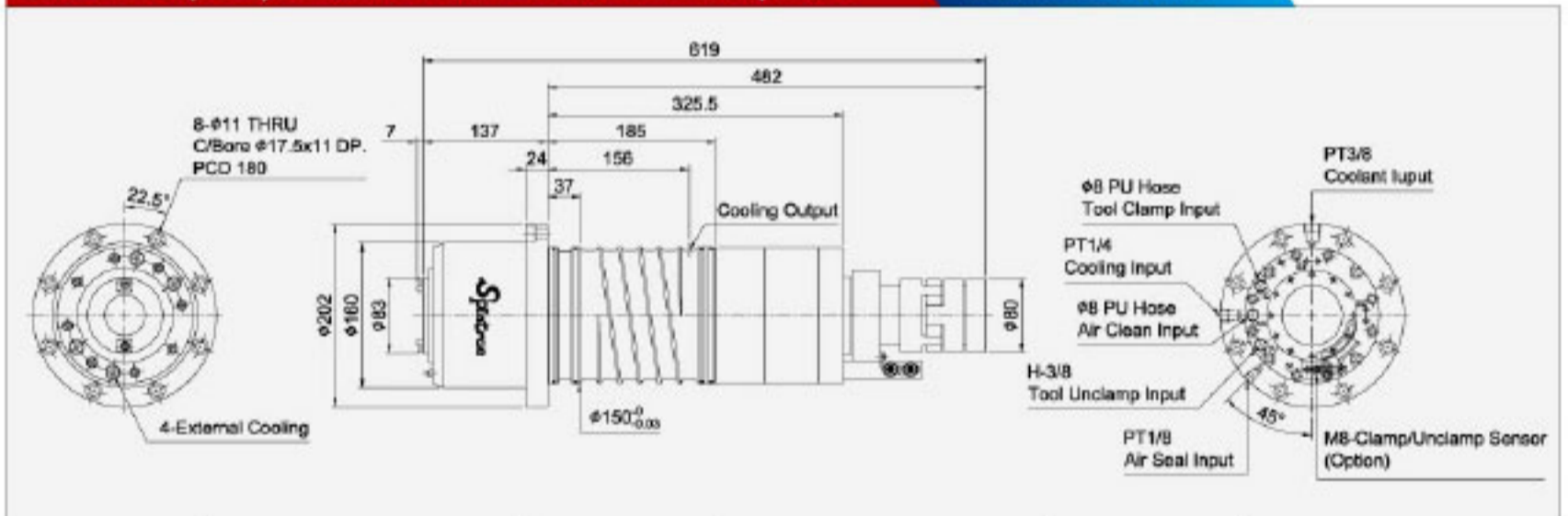
D410C Series



| | | | | | |
|------------|--------------------|----------------|------------------|----------------|-------------|
| Product | BT-40 / $\phi 120$ | Bearing | 7012 x 4 pcs | Lubrication | Grease |
| Max. Speed | 8,000 ~ 18,000 rpm | Clamping Force | 650 \pm 50 kgf | Cooling System | Oil Cooling |

» BT40 (OD) Dia. 150mm Direct Drive Spindle

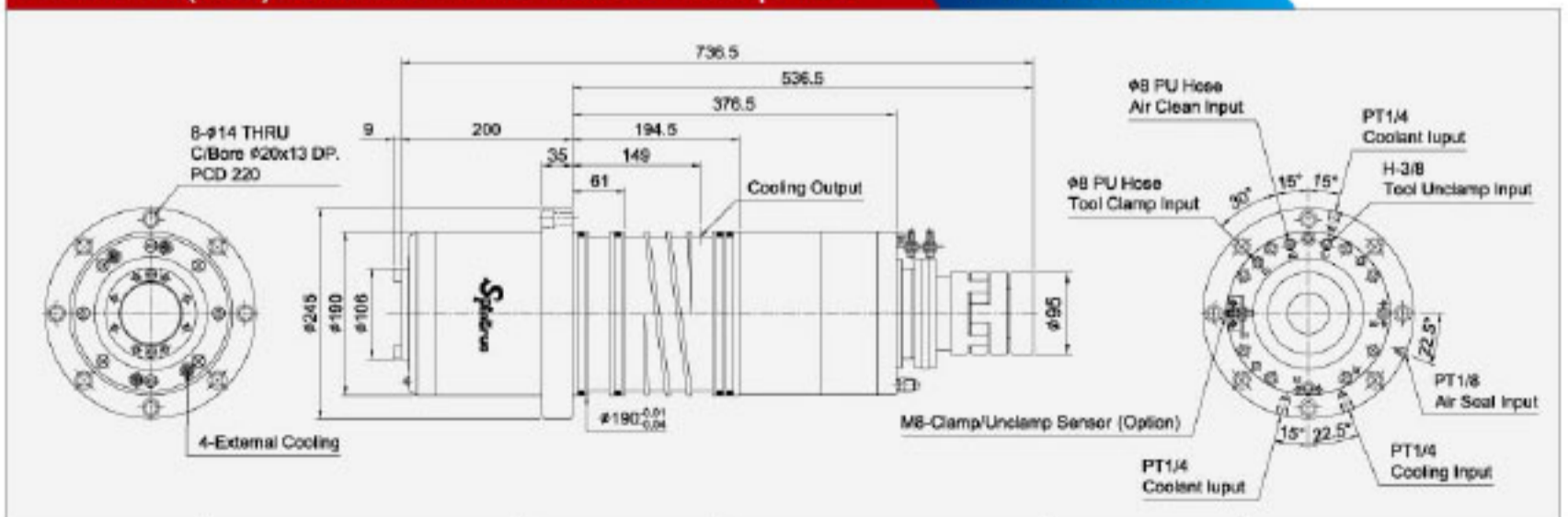
D420C Series



| | | | | | |
|------------|--------------------|----------------|------------------|----------------|-------------|
| Product | BT-40 / $\phi 150$ | Bearing | 7014 x 4 pcs | Lubrication | Grease |
| Max. Speed | 8,000 ~ 15,000 rpm | Clamping Force | 850 \pm 50 kgf | Cooling System | Oil Cooling |

» BT50 (OD) Dia. 190mm Direct Drive Spindle

D510C Series



| | | | | | |
|------------|--------------------|----------------|--------------------|----------------|-------------|
| Product | BT-50 / $\phi 190$ | Bearing | 7018 x 4 pcs | Lubrication | Grease |
| Max. Speed | 6,000 ~ 12,000 rpm | Clamping Force | 1800 \pm 100 kgf | Cooling System | Oil Cooling |

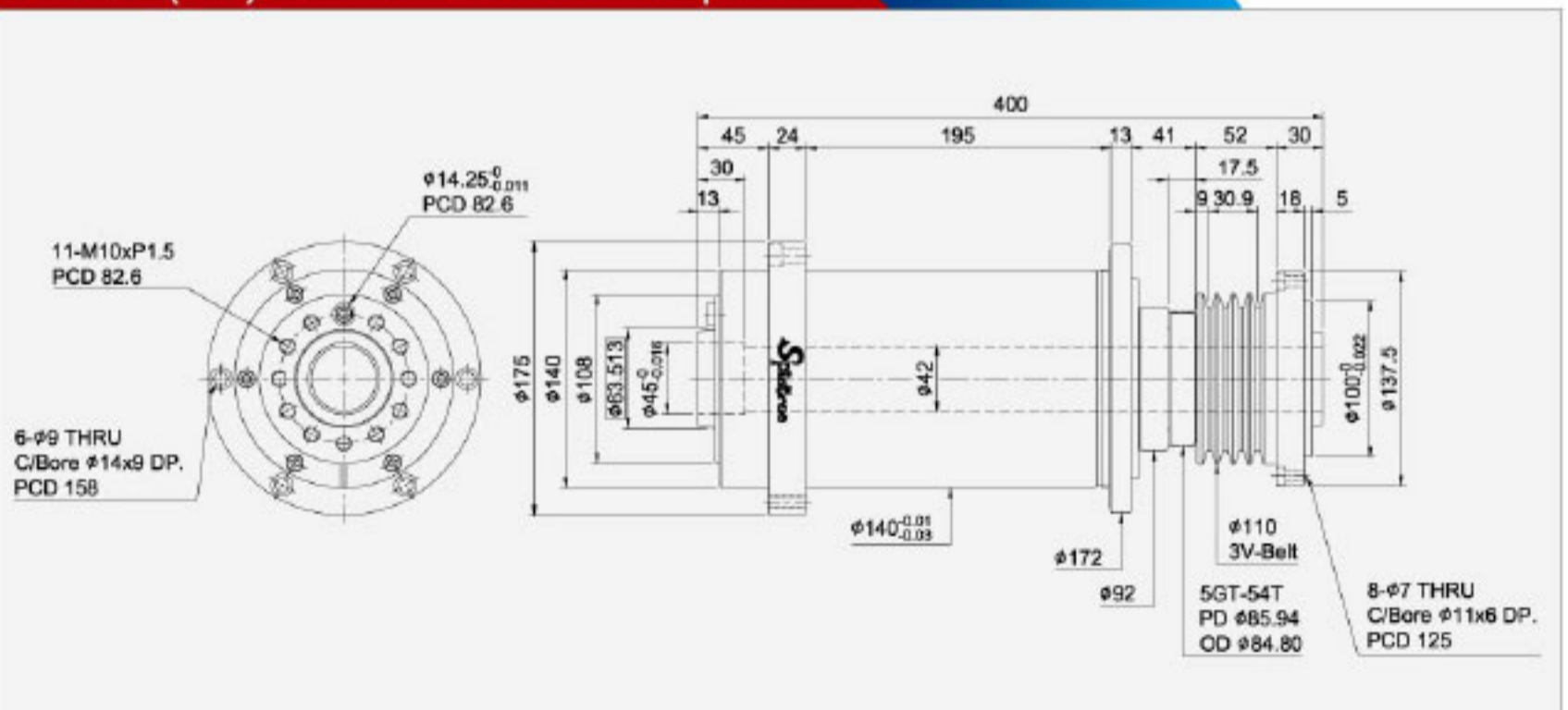
Spindle Introduction



>>>> CNC Lathe Spindle

>> A2-4 (OD) Dia. 140mm Lathe Belt Spindle

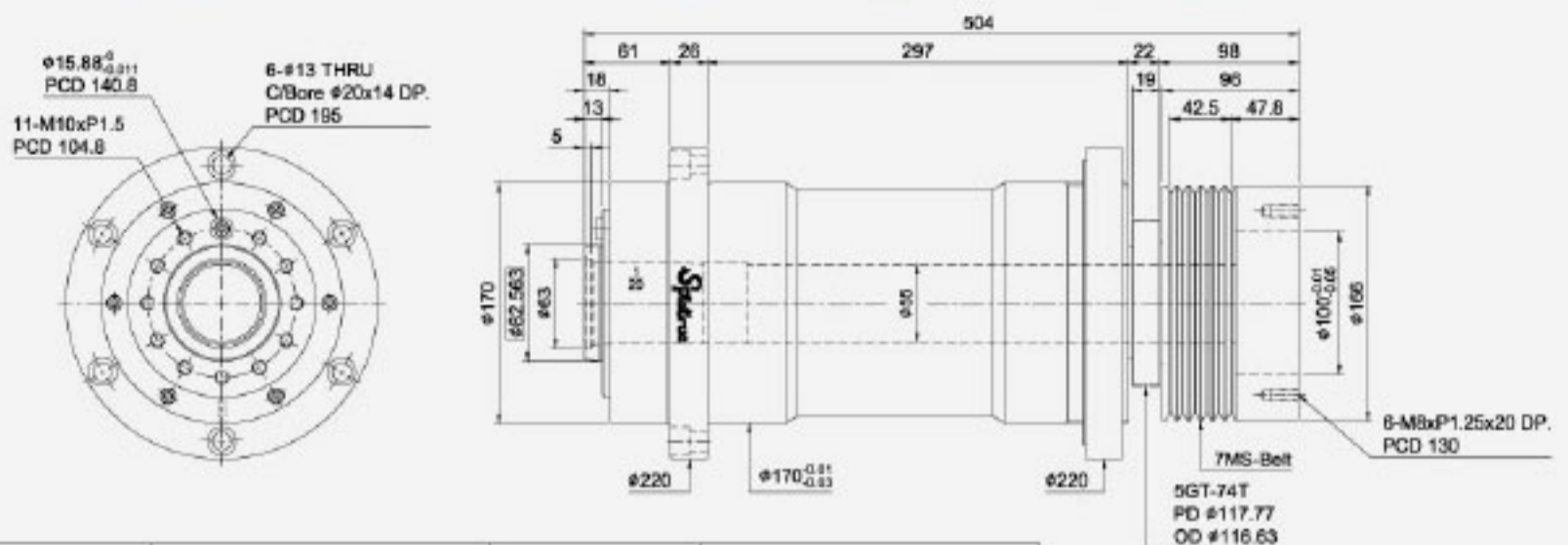
L410C Series



| | | | |
|----------------|-------------------|-------------|------------|
| Specifications | A2-4 / φ140 | Bearing | 7014x4 pcs |
| Max. Speed | 6,000 ~ 8,000 rpm | Lubrication | Grease |

»» A2-5 (OD) Dia. 170mm Lathe Belt Spindle

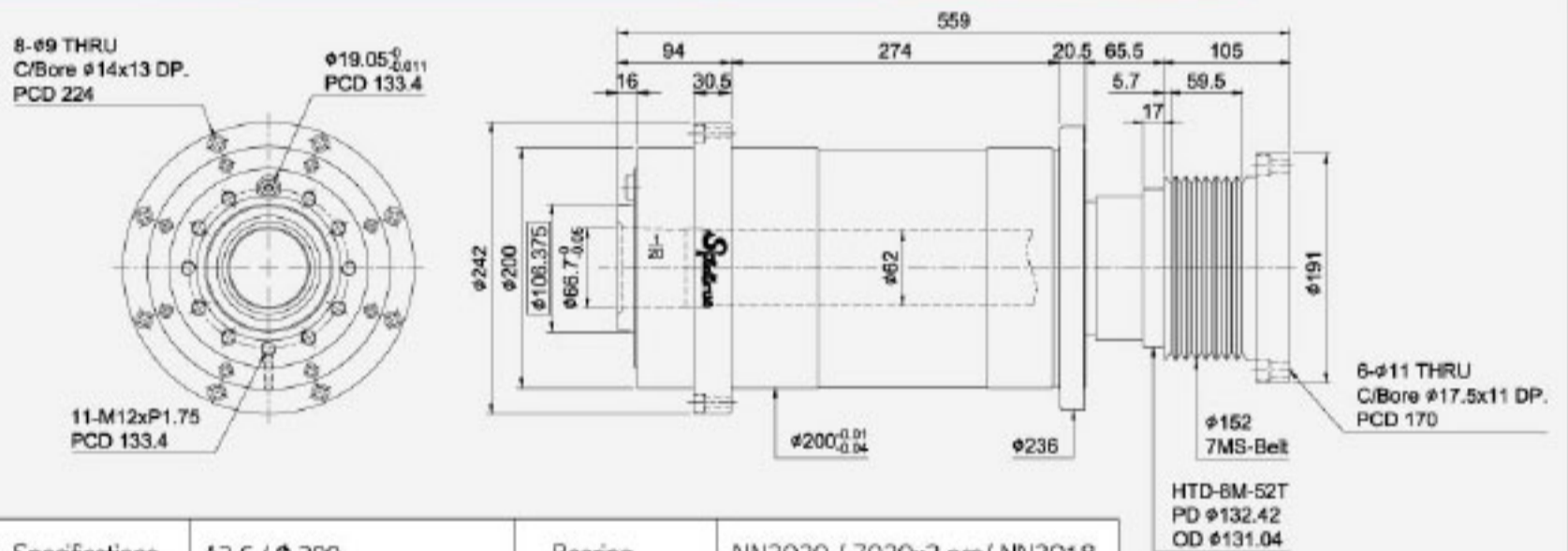
L510C Series



| | | | |
|----------------|-------------------|-------------|---------------------------|
| Specifications | A2-5 / $\phi 170$ | Bearing | 701 6x3 pcs / 701 4x2 pcs |
| Max. Speed | 6,000 rpm | Lubrication | Grease |

»» A2-6 (OD) Dia. 200mm Lathe Belt Spindle

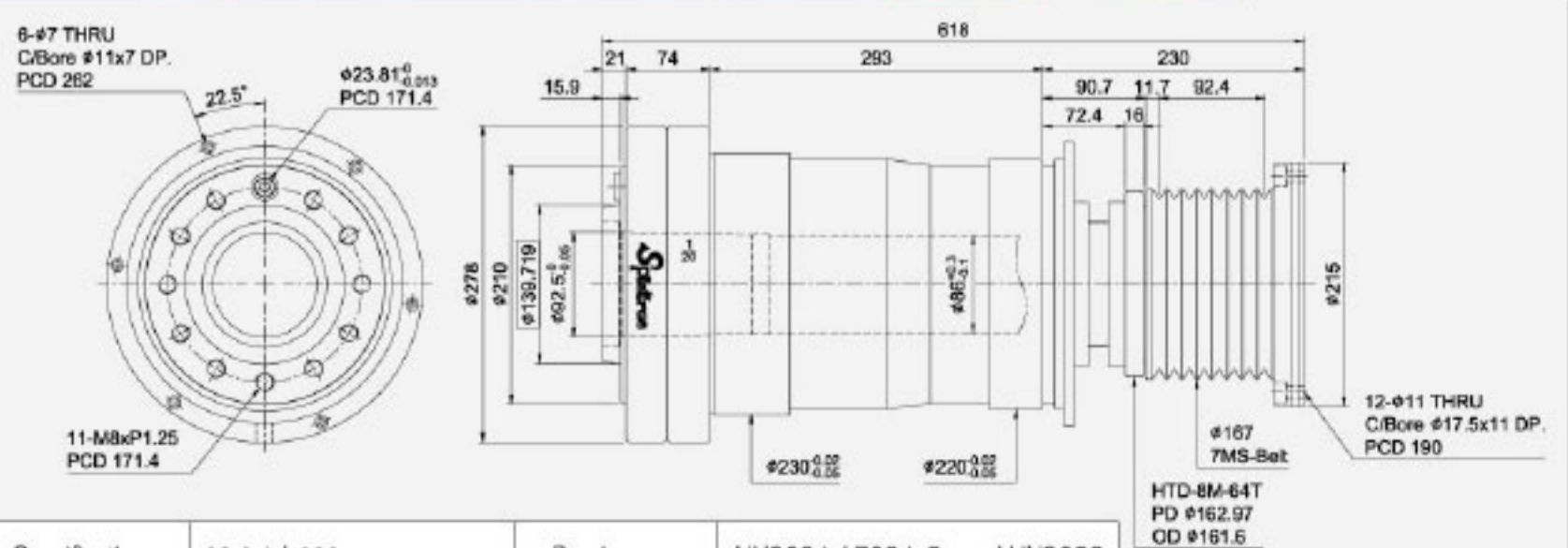
L610C Series



| | | | |
|----------------|-------------------|-------------|------------------------------|
| Specifications | A2-6 / $\phi 200$ | Bearing | NN3020 / 7020x2 pcs / NN3018 |
| Max. Speed | 4,200 rpm | Lubrication | Grease |

»» A2-8 (OD) Dia. 230mm Lathe Belt Spindle

L810C Series



| | | | |
|----------------|-------------------|-------------|------------------------------|
| Specifications | A2-8 / $\phi 230$ | Bearing | NN3024 / 7024x2 pcs / NN3022 |
| Max. Speed | 3,500 rpm | Lubrication | Grease |

Spindle Introduction

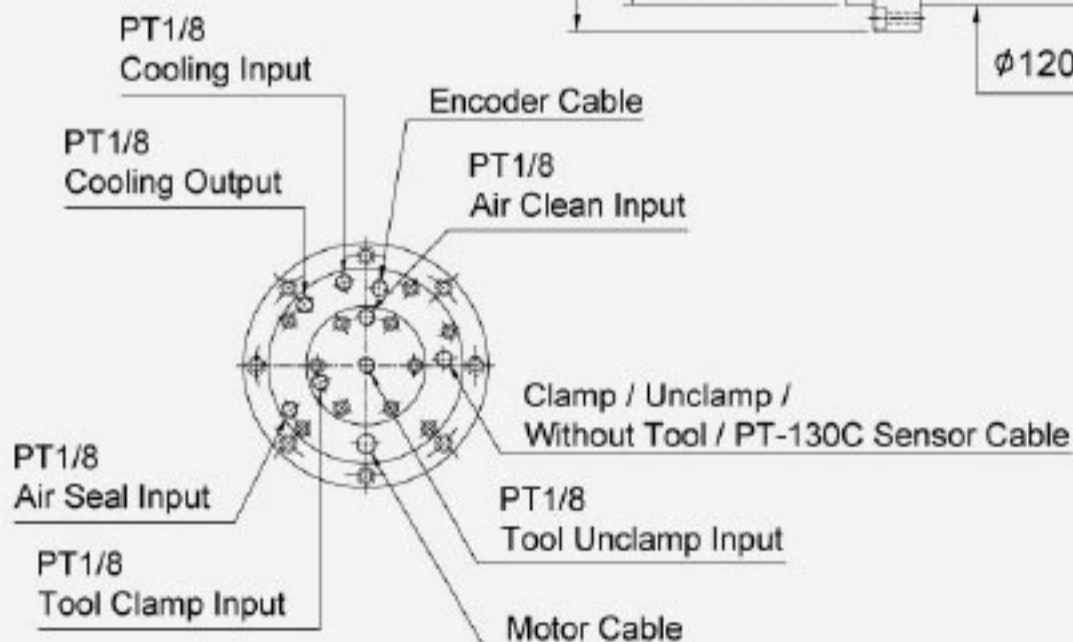
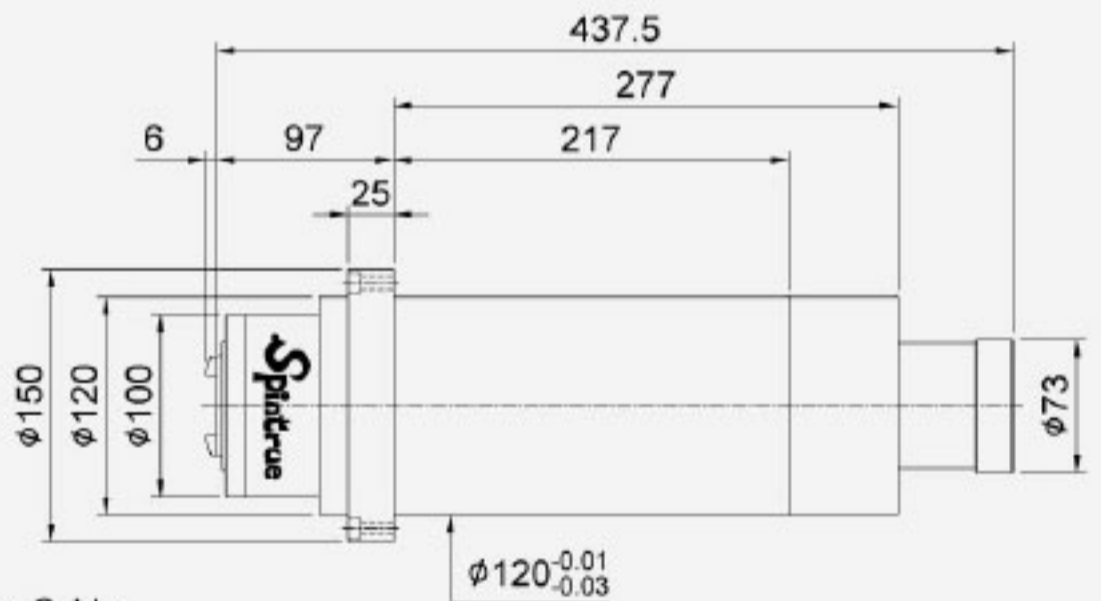
>>>> Motor Spindle



>> BT30 (OD) Dia. 120mm Motor Spindle

C310C Series

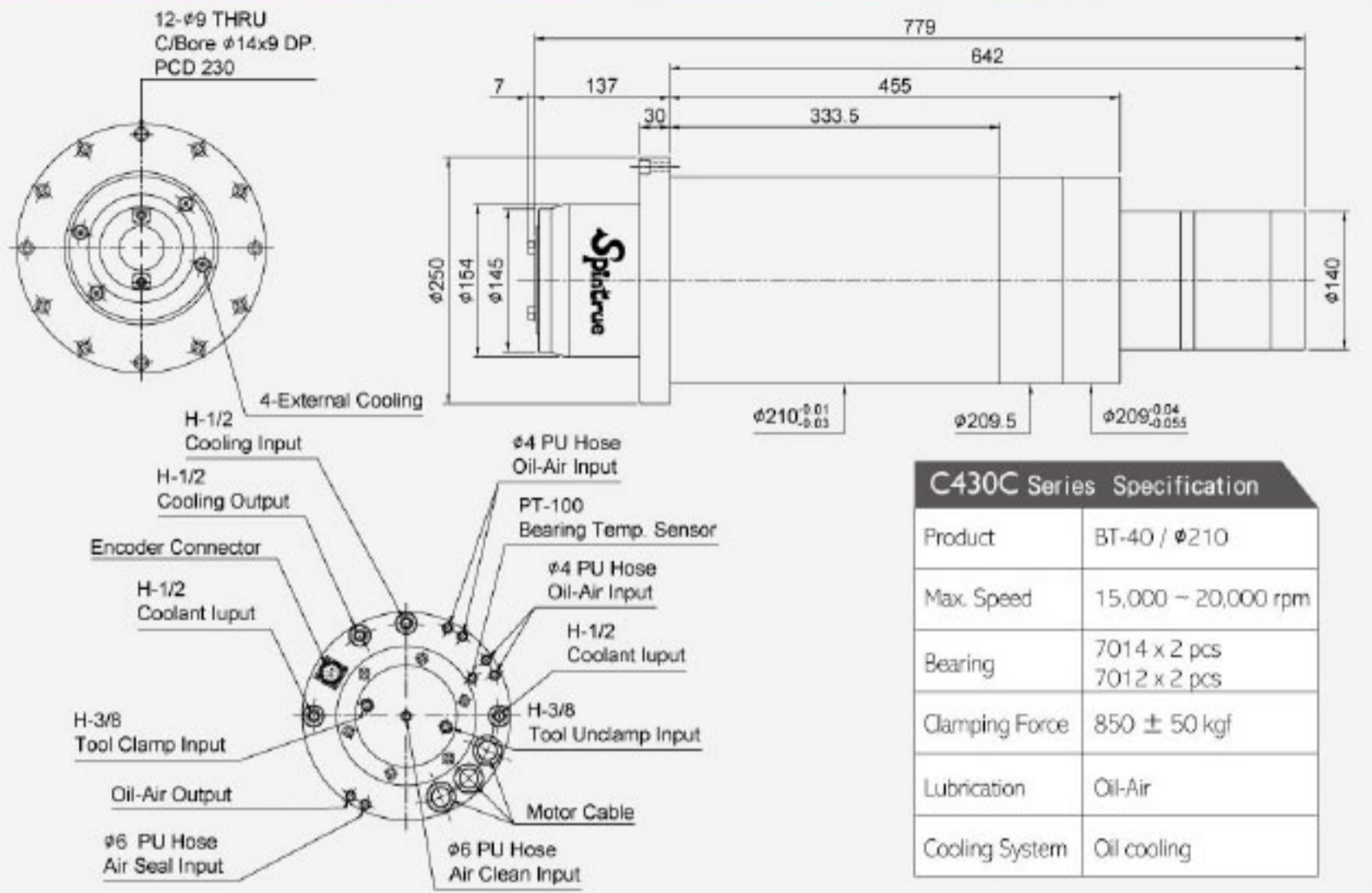
8-φ7 THRU
C/Bore φ11x6.5 DP.
PCD 135



| C310C Series Specification | |
|----------------------------|------------------------------|
| Product | BT-30 / φ120 |
| Max. Speed | 24,000 ~ 30,000 rpm |
| Bearing | 7009 x 2 pcs 7006 x 2 pcs |
| Clamping Force | 300~350 kgf |
| Lubrication | Oil-Air |
| Cooling System | Oil cooling |

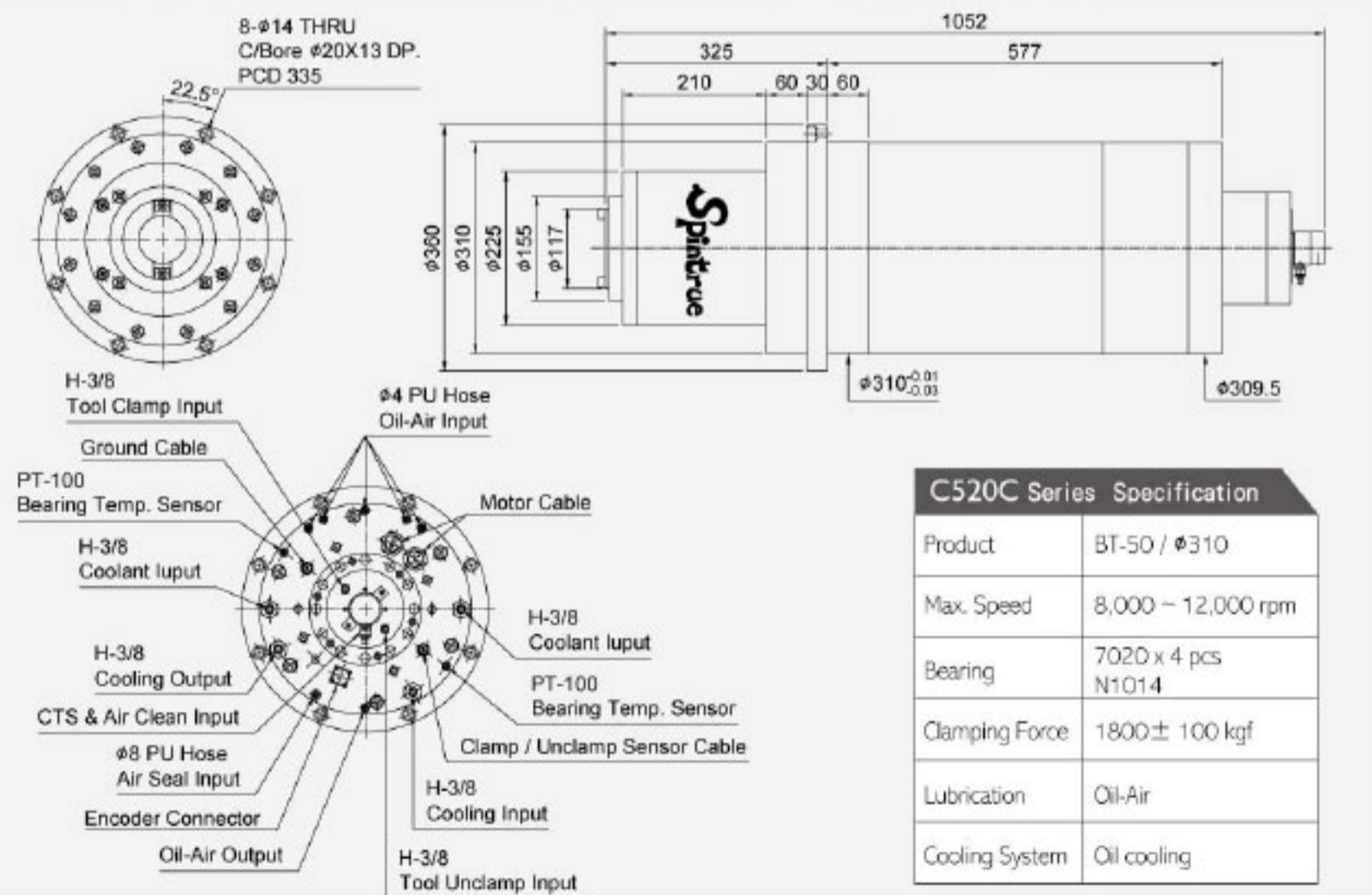
» BT40 (OD) Dia. 210mm Motor Spindle

C430C Series



» BT50 (OD) Dia. 310mm Motor Spindle

C520C Series



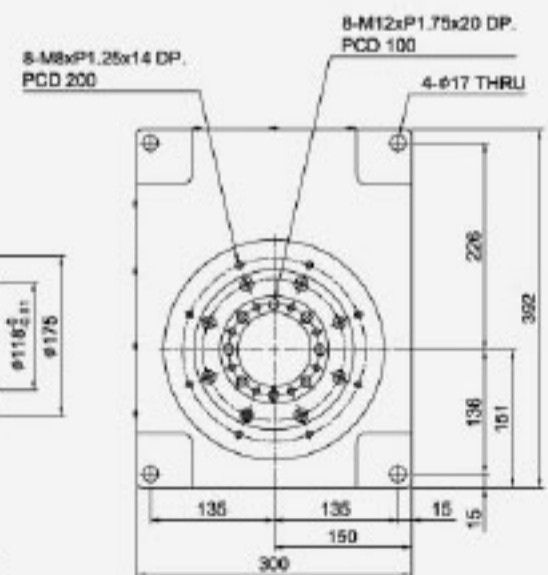
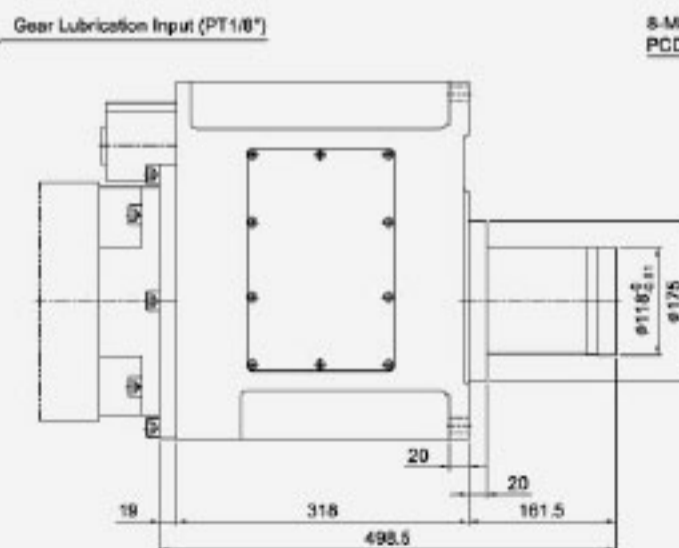
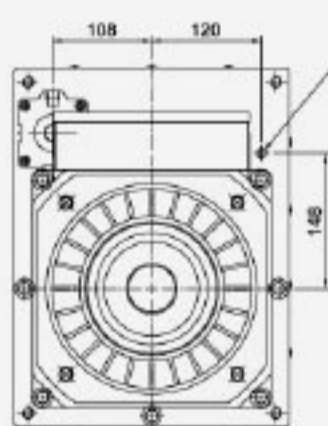
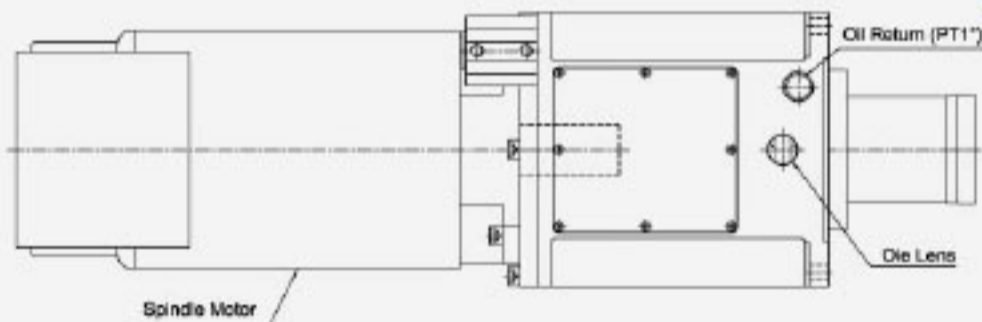
Spindle Introduction

>>>> Gearbox



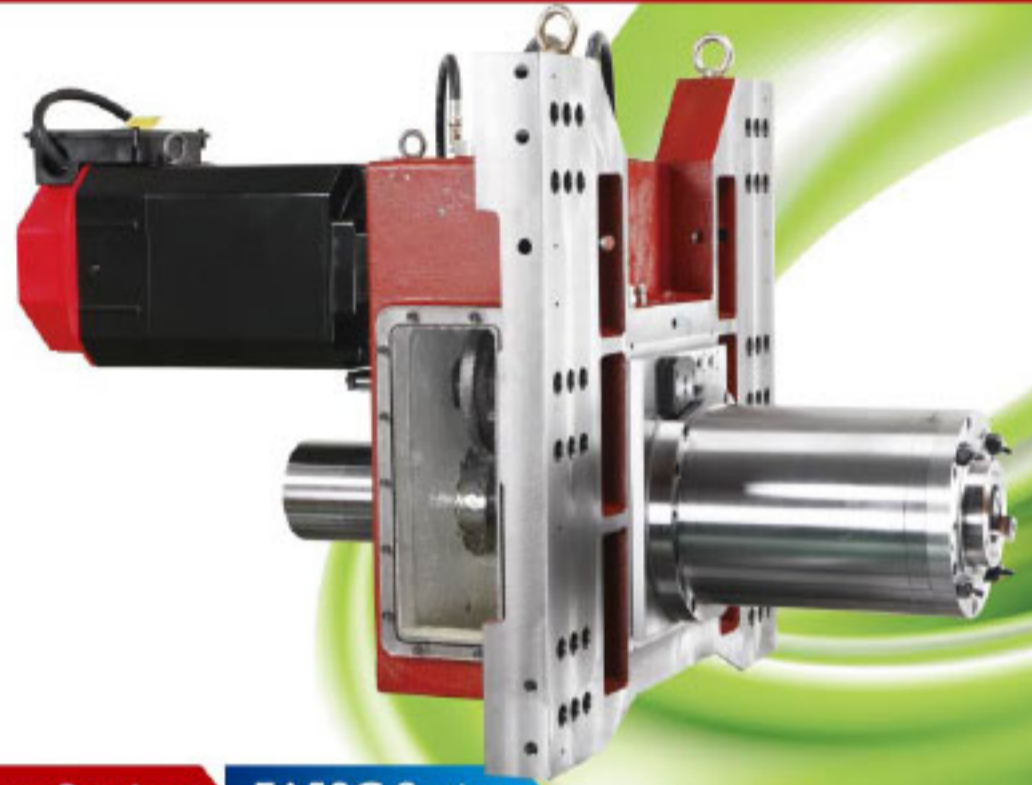
>> 250 Series Gearbox

F101C Series

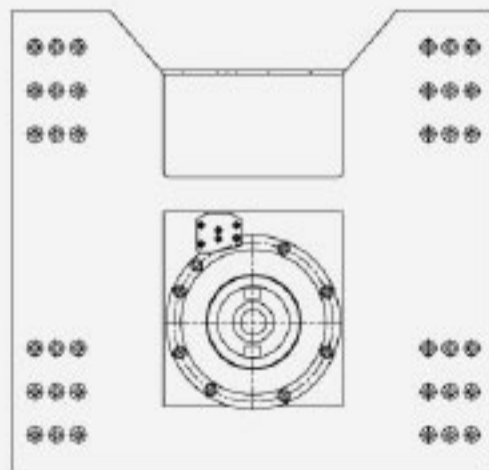
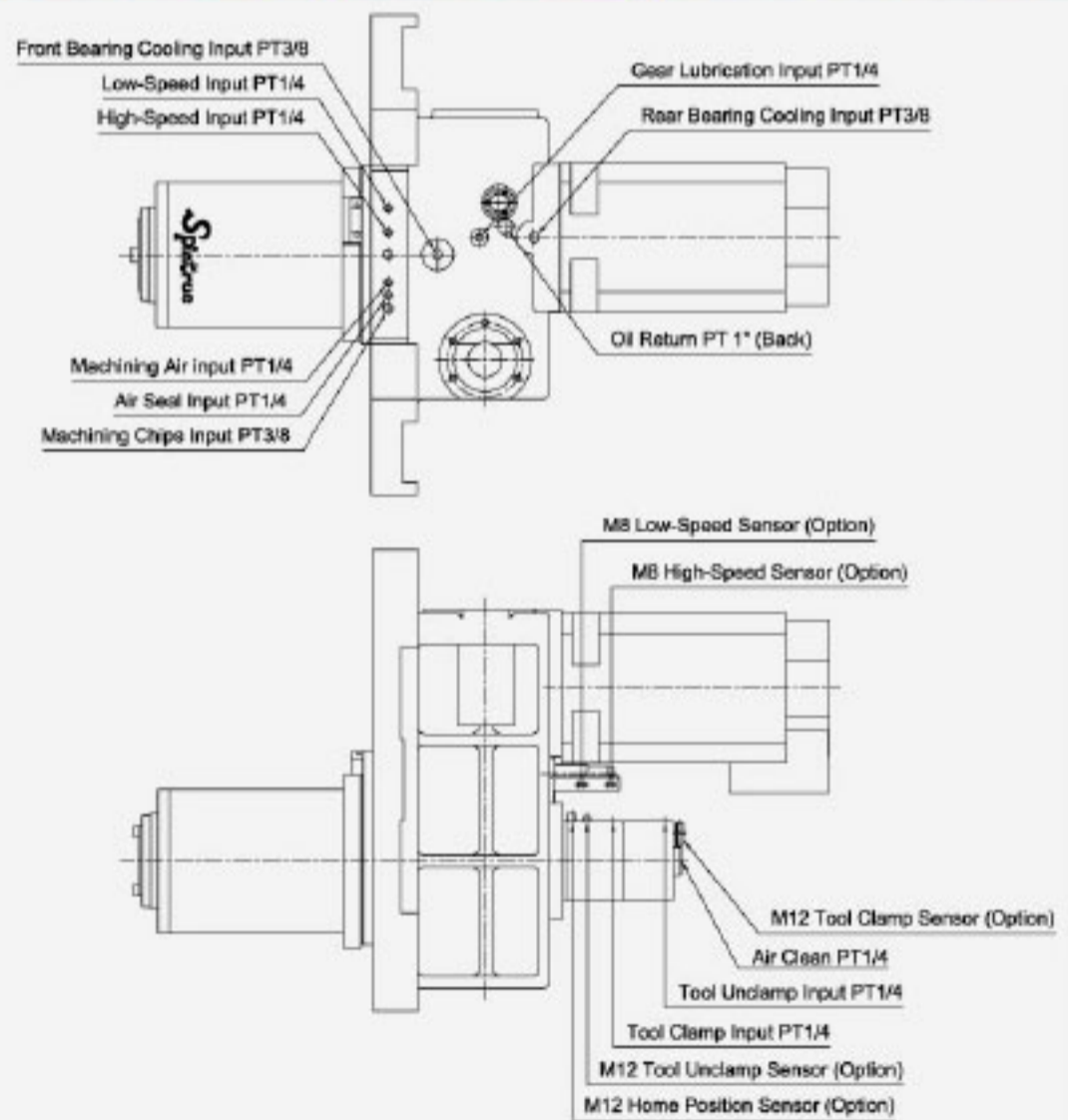


| | | | | | |
|-----------------|------------|-----------------------------|------------|----------------|----------|
| Reduction Ratio | 1 : 4 | Cooling Capacity | 750 kcal/h | Cooling System | Oil type |
| Max. Speed | 10,000 rpm | Apply Spindle Specification | BT 50 | Cooling Oil | R22 |

Gearbox

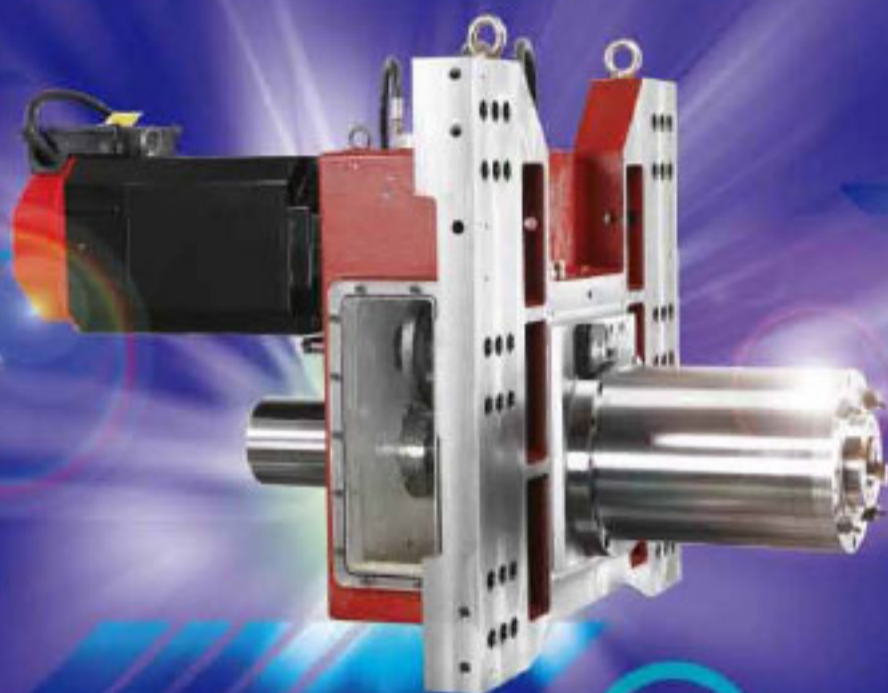


Vertical/Horizontal Machining Center Gearbox FA50C Series



| | | | | | | | |
|-----------------|-----------|----------------|----------------|----------------|---------------------------|--------------|--------|
| Reduction Ratio | 1 : 5 | Tool System | BT 50 | Bearing | 7018 x 4pcs / 6015 x 2pcs | Lubrication | Grease |
| Max. Speed | 6,000 rpm | Clamping Force | 1800 ± 100 kgf | Cooling System | Oil Cooling | Total Weight | 780 kg |

Provide custom designed spindles according to customer's special requirements.



To make quality product is our way to truly cherish the precious resources and to take good care of our earth.

Spintrue TECH. CO., LTD.

龍馬精密科技股份有限公司

<http://www.spintrue.com.tw>

TEL: +886-4-25311390 FAX: +886-4-25332660

台灣42756 台中市潭子區雅潭路二段395-1號

Add: No.395-1, Sec.2, Yatan Rd., Tanzi Dist.,
Taichung City 42756, Taiwan.